

## SERIES DPT | DIGITAL PRESSURE TRANSMITTER WITH SWITCHES

### FEATURES/BENEFITS

- Compact size, lightweight, and high accuracy supports multiple installation methods to support application need and footprint
- Rotating display and electrical connection to maximize visibility while orienting the electrical connection in the best position for the cable connector

### APPLICATIONS

- Calibration
- Hydraulics and pneumatics
- Machine tools
- Compressors and pumps
- Machine building

### DESCRIPTION

The **SERIES DPT** Digital Pressure Transmitter with Switches combines a large, 14-segment LED display with two programmable solid state switches into one compact unit. A unique, 3-way rotating design allows the DPT to meet specific installation requirements without any retrofitting. The display and electrical connection can be rotated independently to maximize visibility while still orienting the electrical connection in the best position for the cable connector. Large, ergonomically designed push buttons allow for quick/easy programming and thin-film piezoresistive sensor technology guarantees long-term reliability and stability.



### SPECIFICATIONS

<b>Service</b>	Compatible gases, liquids or vapors.
<b>Wetted Materials</b>	Pressure connection: 316 L SS; Pressure sensor: 316 L SS (13-8 PH for ranges above 150 psi).
<b>Housing</b>	316 L lower body, heat and chemical resistant fiberglass reinforced plastic (PBT) plastic head, TPE-E keyboard, PC display window.
<b>Accuracy</b>	1.0% F.S. (includes non-linearity, hysteresis, zero point).
<b>Pressure Limits</b>	32 to 176°F (0 to 80°C).
<b>Process Connections</b>	1/4" male NPT.
<b>Display</b>	Red LED 4-digit (0.35" H digits).
<b>Weight</b>	7 oz (0.2 kg).

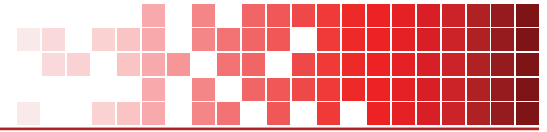
### SWITCH SPECIFICATIONS

<b>Switch Type</b>	PNP.
<b>Electrical Rating</b>	250 mA.
<b>Electrical Connections</b>	M 12x1, 5-pin.
<b>Mounting Orientation</b>	Mount in any position.

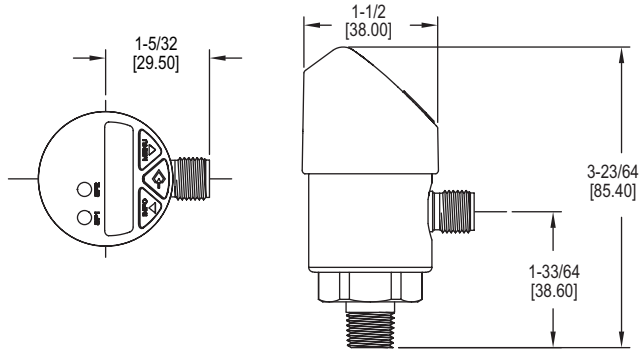
### TRANSMITTER SPECIFICATIONS

<b>Temperature Limits</b>	32 to 176°F (0 to 80°C).
<b>Thermal Effect</b>	0.2% FS/ 10 k.
<b>Power Requirements</b>	15 to 35 VDC.
<b>Output Signal</b>	DPT-A: 4 to 20 mA; DPT-V: 0 to 10 VDC.
<b>Loop Resistance</b>	DPT-A: ≤0.5k; DPT-V: > 10k.
<b>Power Consumption</b>	≤ 100 mA.
<b>Electrical Connections</b>	M 12x1, 5-pin.
<b>Enclosure Rating</b>	IP67.
<b>Agency Approvals</b>	CE.

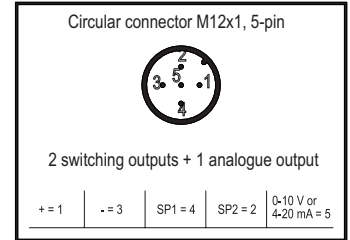
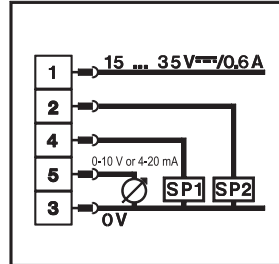




## DIMENSIONS

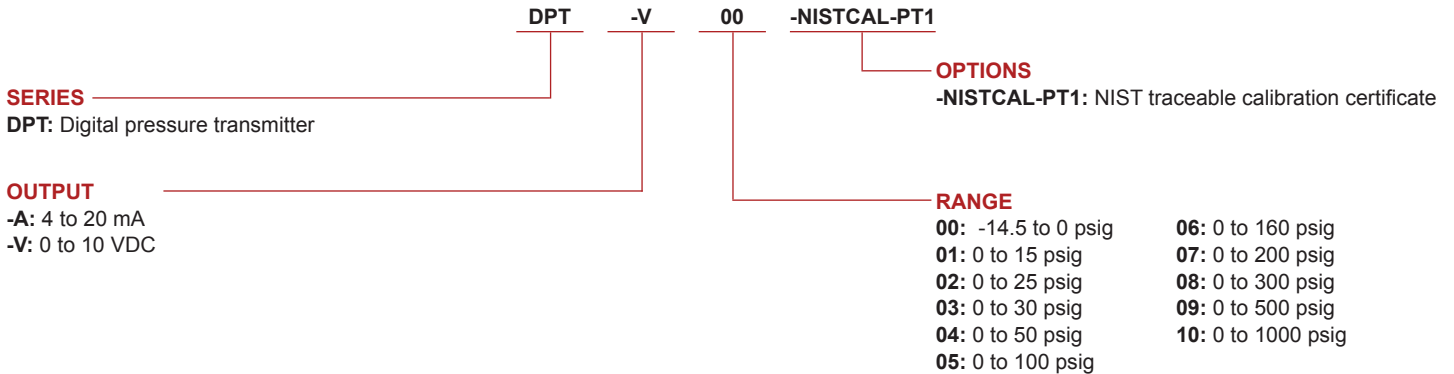


## WIRING DIAGRAM



## HOW TO ORDER

Use the **bold** characters from the chart below to construct a product code.



## ACCESSORIES

Model	Description
<b>A-195</b>	6' (2 m) shielded cable with 5 pin female M-12 connections
<b>NISTCAL-PT1</b>	NIST traceable calibration certificate for pressure transmitters. <b>Note:</b> Equal certs will be charged per units purchased

Important Notice: Dwyer Instruments, Inc. reserves the right to make changes to or discontinue any product or service identified in this publication without notice. Dwyer advises its customers to obtain the latest version of the relevant information to verify, before placing any orders, that the information being relied upon is current.

